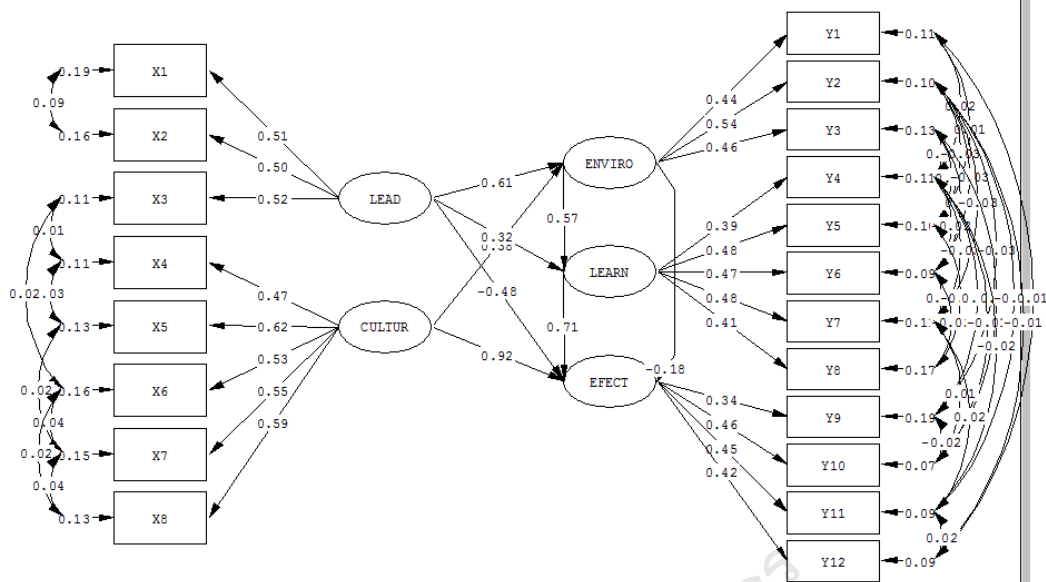


ภาคผนวก ช

ผลการวิเคราะห์ค่าความสอดคล้องของรูปแบบเชิงสมมติฐานกับ

ข้อมูลเชิงประจักษ์หลังการปรับแก้

มหาวิทยาลัยราชภัฏสุราษฎร์ธานี



Chi-Square=76.31, df=98, P-value=0.94874, RMSEA=0.000

DATE: 4/25/2018

TIME: 12:53

L I S R E L 8.52

BY

Karl G. Joreskog & Dag Sörbom

This program is published exclusively by

Scientific Software International, Inc.

7383 N. Lincoln Avenue, Suite 100

Lincolnwood, IL 60712, U.S.A.

Phone: (800)247-6113, (847)675-0720, Fax: (847)675-2140

Copyright by Scientific Software International, Inc., 1981-2002

Use of this program is subject to the terms specified in the

Universal Copyright Convention.

Website: www.ssicentral.com

The following lines were read from file D:\Total 2\TOTAL2.LPJ:

TI TOTAL2

!DA NI=20 NO=500 NG=1 MA=CM

SY='D:\Total 2\TOTAL2.dsf' NG=1

SE

9 10 11 12 13 14 15 16 17 18 19 20 1 2 3 4 5 6 7 8 /

MO NX=8 NY=12 NK=2 NE=3 LY=FU,FI LX=FU,FI BE=FU,FI GA=FU,FI PH=SY,FR PS=DI,FR TE=SY,FI
 TD=SY,FI
 LE
 ENVIRO LEARN EFECT
 LK
 LEAD CULTUR
 FR LY(1,1) LY(2,1) LY(3,1) LY(4,2) LY(5,2) LY(6,2) LY(7,2) LY(8,2) LY(9,3)
 FR LY(10,3) LY(11,3) LY(12,3) LX(1,1) LX(2,1) LX(3,1) LX(4,2) LX(5,2) LX(6,2)
 FR LX(7,2) LX(8,2) BE(2,1) BE(3,1) BE(3,2) GA(1,1) GA(1,2) GA(2,1) GA(3,1)
 FR GA(3,2)
 FR TD 1 1 TD 2 2 TD 3 3 TD 4 4 TD 5 5 TD 6 6 TD 7 7 TD 8 8
 FR TE 1 1 TE 2 2 TE 3 3 TE 4 4 TE 5 5 TE 6 6 TE 7 7 TE 8 8 TE 9 9 TE 10 10
 FR TE 11 11 TE 12 12
 FR TD 2 1 TD 5 4 TE 7 4 TH 6 12 TH 8 4 TE 9 4 TD 8 7 TH 4 8 TH 4 4 TH 5 4
 FR TE 9 2 TE 12 11 TH 2 4 TH 4 5 TH 8 2 TH 5 8 TE 7 6 TH 5 6 TE 11 7
 FR TE 11 4 TE 5 2 TE 10 7 TE 10 3 TH 3 12 TH 6 8 TE 10 4 TE 10 9 TD 7 6
 FR TD 7 5 TE 12 2 TH 3 4 TE 6 2 TE 4 3 TE 7 2 TH 7 9 TE 8 5 TE 4 1 TD 8 6
 FR TH 8 1 TH 5 1 TE 6 3 TD 6 3 TH 3 7 TE 5 3 TH 7 11 TH 3 6 TH 6 11
 FR TE 6 4 TD 4 3 TE 5 1 TE 8 6 TH 1 6 TH 5 10 TH 4 9 TH 1 12 TH 2 12
 FR TH 1 1 TH 2 1 TH 7 5 TH 6 3 TE 11 2 TE 12 1 TH 4 7
 PD
 OU ME=ML AM RS EF FS SS SC IT=250

Squared Multiple Correlations for Structural Equations

ENVIRO	LEARN	EFECT
0.93	0.79	0.93

Squared Multiple Correlations for Reduced Form

ENVIRO	LEARN	EFECT
0.93	0.76	0.82

Reduced Form

ENVIRO	LEAD	CULTUR
0.61	0.38	

	(0.10)	(0.10)
	5.81	3.70
LEARN	0.67	0.22
	(0.12)	(0.11)
	5.80	2.04
EFFECT	-0.11	1.00
	(0.12)	(0.13)
	-0.92	7.49

Goodness of Fit Statistics

Degrees of Freedom = 98

Minimum Fit Function Chi-Square = 76.60 (P = 0.95)

Normal Theory Weighted Least Squares Chi-Square = 76.31 (P = 0.95)

Estimated Non-centrality Parameter (NCP) = 0.0

90 Percent Confidence Interval for NCP = (0.0 ; 0.18)

Minimum Fit Function Value = 0.15

Population Discrepancy Function Value (FO) = 0.0

90 Percent Confidence Interval for FO = (0.0 ; 0.00037)

Root Mean Square Error of Approximation (RMSEA) = 0.0

90 Percent Confidence Interval for RMSEA = (0.0 ; 0.0019)

P-Value for Test of Close Fit (RMSEA < 0.05) = 1.00

Expected Cross-Validation Index (ECVI) = 0.65

90 Percent Confidence Interval for ECVI = (0.65 ; 0.65)

ECVI for Saturated Model = 0.84

ECVI for Independence Model = 65.43

Chi-Square for Independence Model with 190 Degrees of Freedom = 32609.27

Independence AIC = 32649.27

Model AIC = 300.31

Saturated AIC = 420.00

Independence CAIC = 32753.57

Model CAIC = 884.34

Saturated CAIC = 1515.07

Normed Fit Index (NFI) = 1.00

Non-Normed Fit Index (NNFI) = 1.00

Parsimony Normed Fit Index (PNFI) = 0.51

Comparative Fit Index (CFI) = 1.00
 Incremental Fit Index (IFI) = 1.00
 Relative Fit Index (RFI) = 1.00
 Critical N (CN) = 870.50
 Root Mean Square Residual (RMR) = 0.0050
 Standardized RMR = 0.014
 Goodness of Fit Index (GFI) = 0.98
 Adjusted Goodness of Fit Index (AGFI) = 0.97
 Parsimony Goodness of Fit Index (PGFI) = 0.46

BETA

	ENVIRO	LEARN	EFFECT
ENVIRO	--	--	--
LEARN	0.57	--	--
EFFECT	-0.18	0.71	--

GAMMA

	LEAD	CULTUR
ENVIRO	0.61	0.38
LEARN	0.32	--
EFFECT	-0.48	0.92

Correlation Matrix of ETA and KSI

	ENVIRO	LEARN	EFFECT	LEAD	CULTUR
ENVIRO	1.00				
LEARN	0.88	1.00			
EFFECT	0.84	0.89	1.00		
LEAD	0.95	0.87	0.79	1.00	
CULTUR	0.93	0.82	0.90	0.90	1.00

PSI

Note: This matrix is diagonal.

	ENVIRO	LEARN	EFFECT
	0.07	0.21	0.07

Regression Matrix ETA on KSI (Standardized)

	LEAD	CULTUR	
	-----	-----	
ENVIRO	0.61	0.38	
LEARN	0.67	0.22	
EFFECT	-0.11	1.00	
TI TOTAL2			
Total and Indirect Effects			
Total Effects of KSI on ETA			
	LEAD	CULTUR	
	-----	-----	
ENVIRO	0.61	0.38	
	(0.10)	(0.10)	
	5.81	3.70	
LEARN	0.67	0.22	
	(0.12)	(0.11)	
	5.80	2.04	
EFFECT	-0.11	1.00	
	(0.12)	(0.13)	
	-0.92	7.49	
Indirect Effects of KSI on ETA			
	LEAD	CULTUR	
	-----	-----	
ENVIRO	--	--	
LEARN	0.35	0.22	
	(0.13)	(0.11)	
	2.68	2.04	
EFFECT	0.37	0.09	
	(0.21)	(0.09)	
	1.77	1.01	
Total Effects of ETA on ETA			
	ENVIRO	LEARN	EFFECT
	-----	-----	-----
ENVIRO	--	--	--
LEARN	0.57	--	--
	(0.21)		

2.74

EFFECT 0.23 0.71 --

(0.24) (0.10)

0.94 7.04

Largest Eigenvalue of B*B' (Stability Index) is 0.581

Indirect Effects of ETA on ETA

ENVIRO LEARN EFFECT

ENVIRO -- -- --

LEARN -- -- --

EFFECT 0.41 -- --

(0.14)

2.82

TI TOTAL2

มหาวิทยาลัยราชภัฏสุราษฎร์ธานี